

Series 46 EcoTouch.  
*Reliable, cost-effective, modular.*

<https://eao.com/46>



## Key advantages

- Cost effective industrial switches
- Modular construction
- Easy assembly and wiring
- Raised 22mm or flush 30mm mounting

## Typical application areas

Machinery and industrial equipment  
Factory and process automation  
Panel building  
Lifting and moving  
HVAC

## Functions

- Pushbutton
- Illuminated pushbutton
- Double pushbutton
- Mushroom-head pushbutton
- Palm switch
- Selector switch
- Illuminated selector switch
- Keylock switch
- Indicator
- Stop switch
- Emergency stop switch
- USB socket
- Signal light tower
- Digital joystick
- Pendant control
- Enclosure

## Design

- Flush
- Raised

## IP front protection

- IP65 as standard
- IP66 to IP69K with protection caps\* (\*Depends on actuator type and style)

## Mounting cut-outs

- Ø 22 mm
- Ø 30 mm

## Terminal

- Screw terminal
- Faston terminals

## Approvals

- CSA
- EAC
- UL (not all items, check datasheets)

## Conformities

- CE

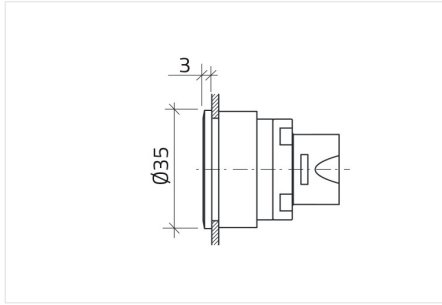
<b>Flush design</b>	
Illuminated pushbutton	4
Selector switch	5
Selector switch illuminated	6
Stop switch	7
<b>Raised design</b>	
Pushbutton	8
Illuminated pushbutton	10
Double pushbutton	11
Illuminated double pushbutton	12
Mushroom-head pushbutton	13
Mushroom-head pushbutton illuminated	14
Palm switch	15
Selector switch 2 positions	16
Selector switch 3 positions	17
Selector switch 4 positions	18
Selector switch 5 positions	19
Selector switch illuminated 2 positions	20
Selector switch illuminated 3 positions	21
Keylock switch	22
Stop switch	23
Emergency stop switch	24
Illuminated stop switch	25
Indicator	26
USB socket	27
Signal light tower	28
Digital joystick	29
Digital joystick complete	30
Pendant control	31
Enclosure	32
<b>Components</b>	<b>33</b>

# 46 Flush design

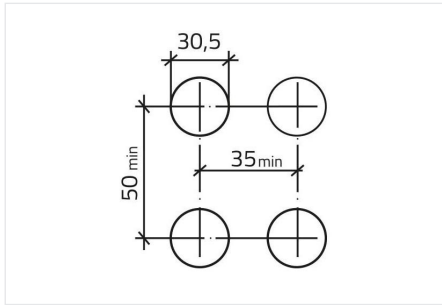
## Illuminated pushbutton



Product can differ from the current configuration.



Dimensions [mm]



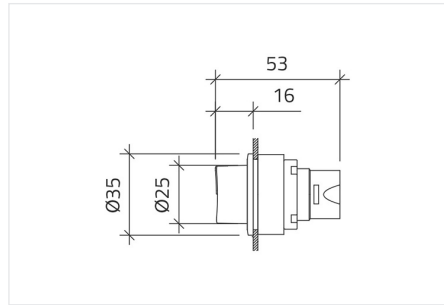
Mounting cut-outs [mm]



### Actuator

Switching action	Lens colour	Lens shape	Front dimension	Front bezel colour	Front bezel material	Housing colour	Housing material	Part No.
Momentary	Green	Flush	Ø 35 mm	Silver	Aluminium	Black	Plastic	46-2231.4FH0.000
	Red	Flush	Ø 35 mm	Silver	Aluminium	Black	Plastic	46-2231.4FE0.000
	White	Flush	Ø 35 mm	Silver	Aluminium	Black	Plastic	46-2231.4FK0.000
Maintained	Green	Flush	Ø 35 mm	Silver	Aluminium	Black	Plastic	46-2234.4FH0.000
	Red	Flush	Ø 35 mm	Silver	Aluminium	Black	Plastic	46-2234.4FE0.000
	White	Flush	Ø 35 mm	Silver	Aluminium	Black	Plastic	46-2234.4FK0.000

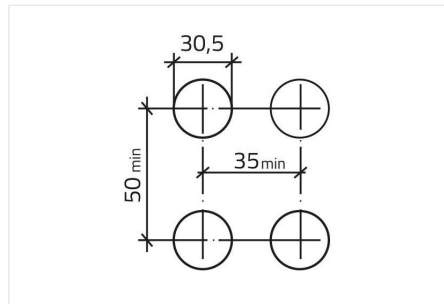
## Selector switch



Dimensions [mm]



Product can differ from the current configuration.



Mounting cut-outs [mm]



### Actuator

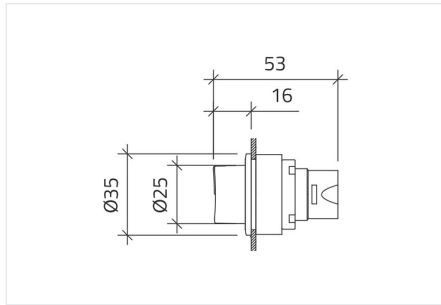
Switching action	Switching angle	Lever colour	Lever bar colour	Front dimension	Front bezel colour	Front bezel material	Housing colour	Housing material	Part No.
Maintained - Maintained	90°	Black	White	Ø 35 mm	Silver	Aluminium	Black	Plastic	46-2828.4CV0.001
Rest - Momentary	45° right	Black	White	Ø 35 mm	Silver	Aluminium	Black	Plastic	46-2844.4EV0.005

# 46 Flush design

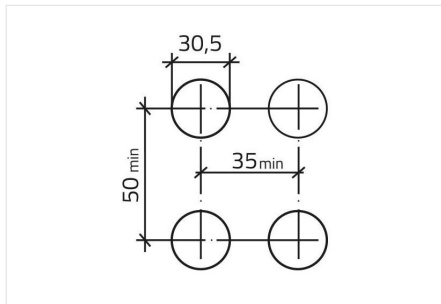
## Selector switch illuminated



Product can differ from the current configuration.



Dimensions [mm]



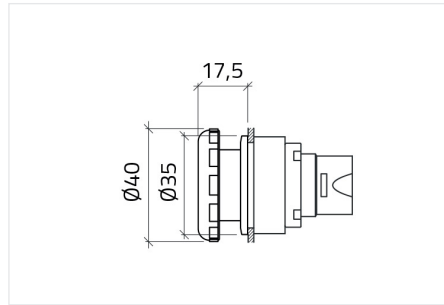
Mounting cut-outs [mm]



### Actuator

Switching action	Switching angle	Lever colour	Lever bar colour	Front dimension	Front bezel colour	Front bezel material	Housing colour	Housing material	Part No.
Maintained - Maintained	90°	Red	White	Ø 35 mm	Silver	Aluminium	Black	Plastic	46-2W28.4CE0.001
	90°	Green	White	Ø 35 mm	Silver	Aluminium	Black	Plastic	46-2W28.4CH0.001

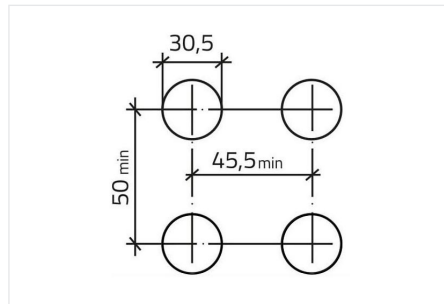
## Stop switch



Dimensions [mm]



Product can differ from the current configuration.



Mounting cut-outs [mm]



### Actuator

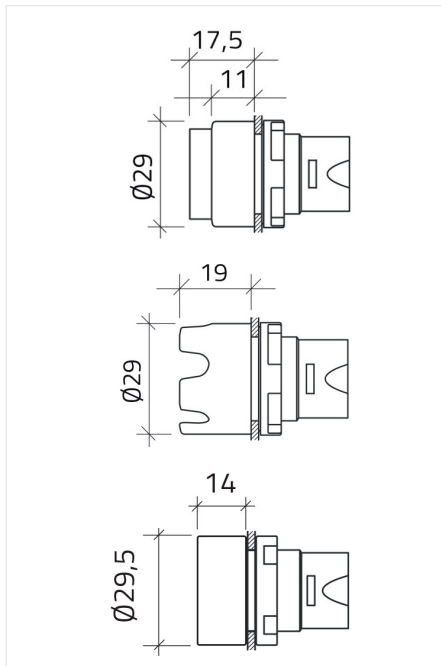
Release type	Lens colour	Front bezel colour	Front bezel material	Dimension	Housing colour	Housing material	Part No.
Twist to unlock	Red	Silver	Aluminium	Ø 40 mm	Black	Plastic	46-2736.4920.000

# 46 Raised design

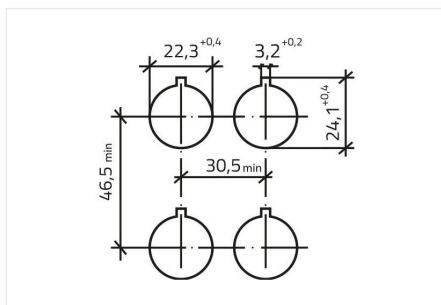
## Pushbutton



Product can differ from the current configuration.



Dimensions [mm]



Mounting cut-outs [mm]



## Actuator

Switching action	Lens colour	Lens shape	Lens type	Front dimension	Front bezel colour	Front bezel material	Housing colour	Housing material	Part No.
Momentary	Red	Flush	Lower than front bezel	Ø 29 mm	Black	Plastic	Black	Plastic	46-2131.1420.000
	Yellow	Flush	Raised above front bezel	Ø 29 mm	Black	Plastic	Black	Plastic	46-2131.1240.000
Maintained	Red	Flush	Raised above front bezel	Ø 29 mm	Black	Plastic	Black	Plastic	46-2134.1220.000
Momentary	Green	Flush	Level with front bezel	Ø 29 mm	Black	Plastic	Black	Plastic	46-2131.1150.000
	Orange	Flush	Level with front bezel	Ø 29 mm	Black	Plastic	Black	Plastic	46-2131.11F0.000
	White	Flush	Level with front bezel	Ø 29 mm	Black	Plastic	Black	Plastic	46-2131.1190.000
	Blue	Flush	Level with front bezel	Ø 29 mm	Black	Plastic	Black	Plastic	46-2131.1160.000
	Yellow	Flush	Level with front bezel	Ø 29 mm	Black	Plastic	Black	Plastic	46-2131.1140.000
	Grey	Flush	Level with front bezel	Ø 29 mm	Black	Plastic	Black	Plastic	46-2131.1180.000

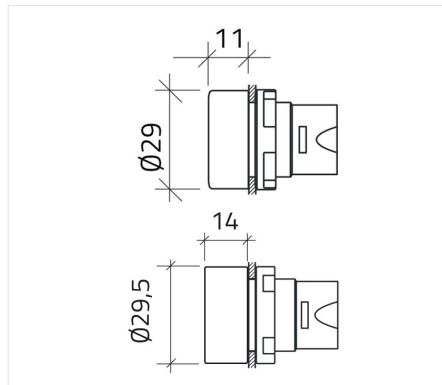
Switching action	Lens colour	Lens shape	Lens type	Front dimension	Front bezel colour	Front bezel material	Housing colour	Housing material	Part No.
Momentary	Black	Flush	Level with front bezel	Ø 29 mm	Black	Plastic	Black	Plastic	46-2131.1110.000
	Red	Flush	Level with front bezel	Ø 29 mm	Black	Plastic	Black	Plastic	46-2131.1120.000
	Red	Flush	Level with front bezel	Ø 29,5 mm	Silver	Metal	Black	Plastic	46-2131.3120.000
	Green	Flush	Level with front bezel	Ø 29,5 mm	Silver	Metal	Black	Plastic	46-2131.3150.000
Maintained	Black	Flush	Level with front bezel	Ø 29 mm	Black	Plastic	Black	Plastic	46-2134.1110.000
	Green	Flush	Level with front bezel	Ø 29 mm	Black	Plastic	Black	Plastic	46-2134.1150.000
	Red	Flush	Level with front bezel	Ø 29 mm	Black	Plastic	Black	Plastic	46-2134.1120.000
	White	Flush	Level with front bezel	Ø 29 mm	Black	Plastic	Black	Plastic	46-2134.1190.000
	Blue	Flush	Level with front bezel	Ø 29 mm	Black	Plastic	Black	Plastic	46-2134.1160.000
	Yellow	Flush	Level with front bezel	Ø 29 mm	Black	Plastic	Black	Plastic	46-2134.1140.000
	Red	Flush	Level with front bezel	Ø 29,5 mm	Silver	Metal	Black	Plastic	46-2134.3120.000
	Green	Flush	Level with front bezel	Ø 29,5 mm	Silver	Metal	Black	Plastic	46-2134.3150.000

# 46 Raised design

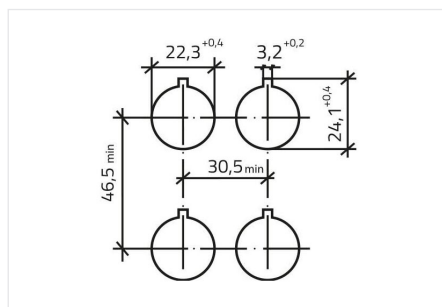
## Illuminated pushbutton



Product can differ from the current configuration.



Dimensions [mm]



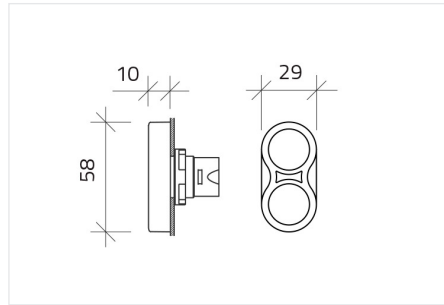
Mounting cut-outs [mm]



## Actuator

Switching action	Lens colour	Lens shape	Front dimension	Front bezel colour	Front bezel material	Housing colour	Housing material	Part No.
Momentary	Orange	Raised	Ø 29 mm	Black	Plastic	Black	Plastic	46-2231.12F0.000
	Red	Flush	Ø 29 mm	Black	Plastic	Black	Plastic	46-2231.11E0.000
	Yellow	Flush	Ø 29 mm	Black	Plastic	Black	Plastic	46-2231.11G0.000
	Blue	Flush	Ø 29 mm	Black	Plastic	Black	Plastic	46-2231.11J0.000
	White	Flush	Ø 29 mm	Black	Plastic	Black	Plastic	46-2231.11N0.000
	Green	Flush	Ø 29 mm	Black	Plastic	Black	Plastic	46-2231.11H0.000
	Orange	Flush	Ø 29 mm	Black	Plastic	Black	Plastic	46-2231.11F0.000
Maintained	Red	Flush	Ø 29 mm	Black	Plastic	Black	Plastic	46-2234.11E0.000
	Yellow	Flush	Ø 29 mm	Black	Plastic	Black	Plastic	46-2234.11G0.000
	Blue	Flush	Ø 29 mm	Black	Plastic	Black	Plastic	46-2234.11J0.000
	White	Flush	Ø 29 mm	Black	Plastic	Black	Plastic	46-2234.11N0.000
	Green	Flush	Ø 29 mm	Black	Plastic	Black	Plastic	46-2234.11H0.000
Momentary	Red	Flush	Ø 29,5 mm	Silver	Metal	Black	Plastic	46-2231.31E0.000
	Green	Flush	Ø 29,5 mm	Silver	Metal	Black	Plastic	46-2231.31H0.000
	Yellow	Flush	Ø 29,5 mm	Silver	Metal	Black	Plastic	46-2231.31G0.000
Maintained	Red	Flush	Ø 29,5 mm	Silver	Metal	Black	Plastic	46-2234.31E0.000
	Green	Flush	Ø 29,5 mm	Silver	Metal	Black	Plastic	46-2234.31H0.000
	Yellow	Flush	Ø 29,5 mm	Silver	Metal	Black	Plastic	46-2234.31G0.000

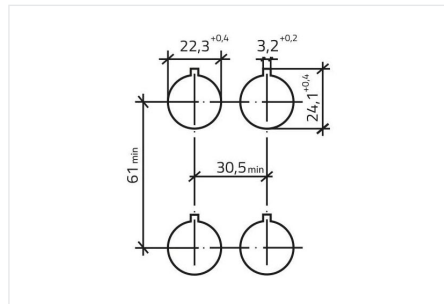
## Double pushbutton



Dimensions [mm]



Product can differ from the current configuration.



Mounting cut-outs [mm]

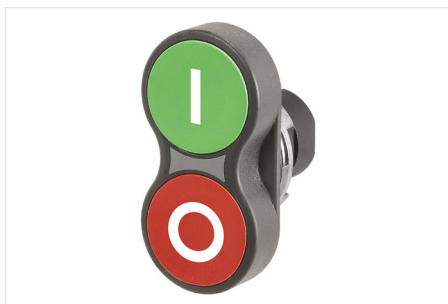


### Actuator

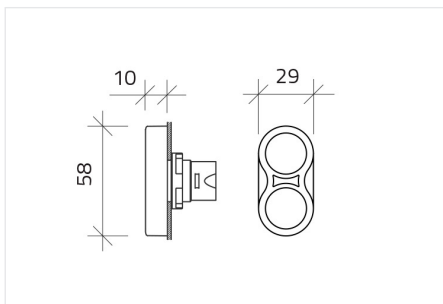
Switching action	Lens colour	Lens shape	Lens type	Front dimension	Front bezel colour	Front bezel material	Housing colour	Housing material	Part No.
Momentary	Green-red	Flush	Level with front bezel	58 mm x 29 mm	Black	Plastic	Black	Plastic	46-2J31.15T0.000

# 46 Raised design

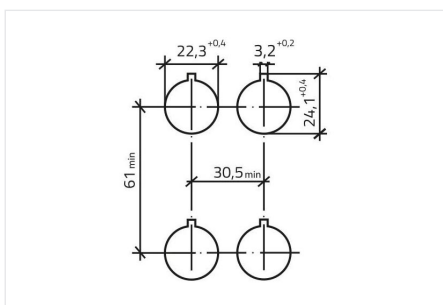
## Illuminated double pushbutton



Product can differ from the current configuration.



Dimensions [mm]



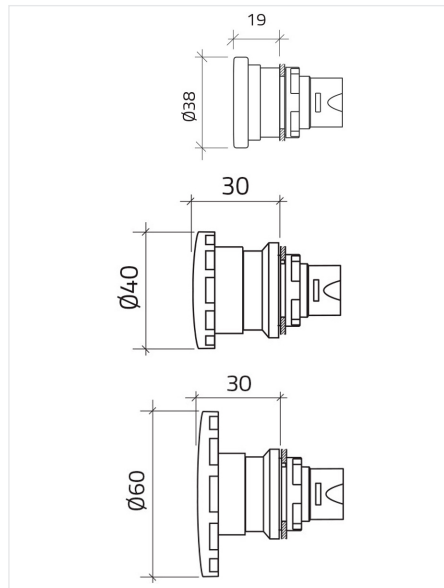
Mounting cut-outs [mm]



### Actuator

Switching action	Lens colour	Lens shape	Lens type	Front dimension	Front bezel colour	Front bezel material	Housing colour	Housing material	Part No.
Momentary	Green-red	Flush	Level with front bezel	58 mm x 29 mm	Black	Plastic	Black	Plastic	46-2K31.15T0.000

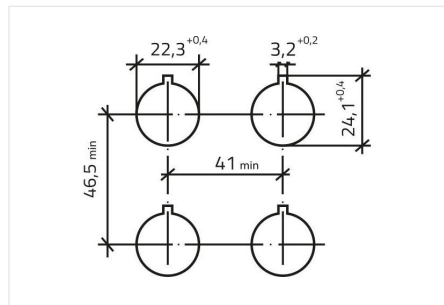
## Mushroom-head pushbutton



Dimensions [mm]



Product can differ from the current configuration.



Mounting cut-outs [mm]

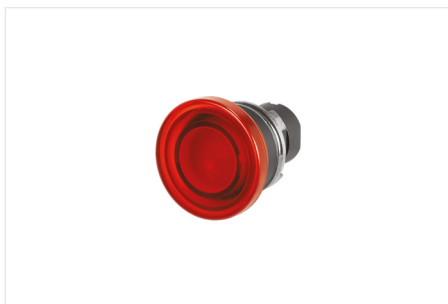


### Actuator

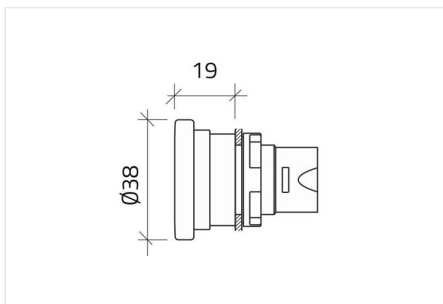
Switching action	Lens colour	Front dimension	Front bezel colour	Front bezel material	Housing colour	Housing material	Part No.
Maintained	Yellow	Ø 38 mm	Black	Plastic	Black	Plastic	46-2534.1G40.000
Momentary	Red	Ø 40 mm	Yellow	Plastic	Yellow	Plastic	46-2531.1920.000
	Red	Ø 60 mm	Yellow	Plastic	Yellow	Plastic	46-2531.1A20.000
	Green	Ø 40 mm	Black	Plastic	Black	Plastic	46-2531.1950.000

# 46 Raised design

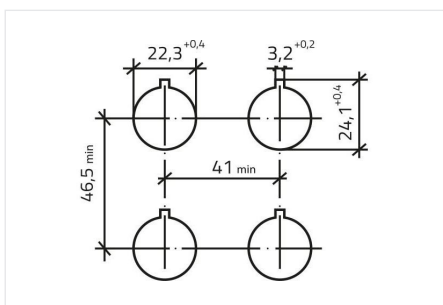
## Mushroom-head pushbutton illuminated



Product can differ from the current configuration.



Dimensions [mm]



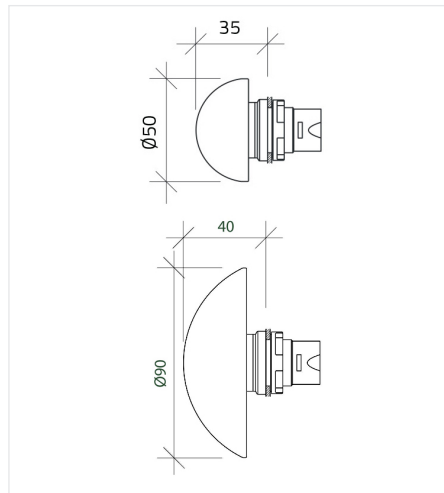
Mounting cut-outs [mm]



### Actuator

Switching action	Lens colour	Front dimension	Front bezel colour	Front bezel material	Housing colour	Housing material	Part No.
Momentary	Red	Ø 38 mm	Black	Plastic	Black	Plastic	46-2631.1GE0.000

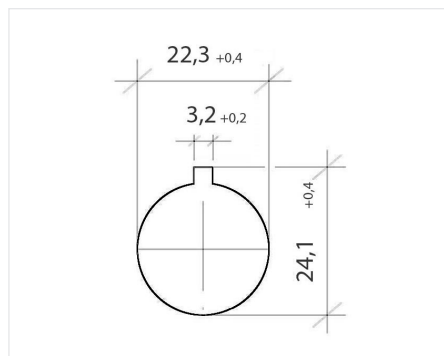
## Palm switch



Dimensions [mm]



Product can differ from the current configuration.



Mounting cut-outs [mm]



### Actuator

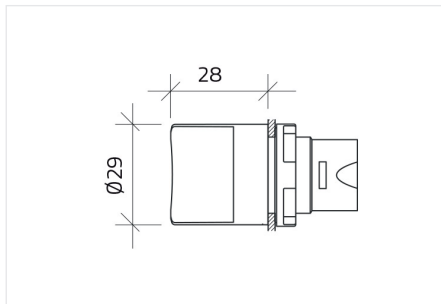
Switching action	Release type	Lens colour	Front dimension	Front bezel colour	Front bezel material	Housing colour	Housing material	Part No.
Maintained	Pull unlock	Red	Ø 50 mm	Yellow	Plastic	Yellow	Plastic	46-2530.1P20.000
	Pull unlock	Red	Ø 90 mm	Yellow	Plastic	Yellow	Plastic	46-2530.1Q20.000
Momentary		Red	Ø 50 mm	Yellow	Plastic	Yellow	Plastic	46-2531.1K20.000
		Grey	Ø 50 mm	Black	Plastic	Black	Plastic	46-2531.1K80.000

# 46 Raised design

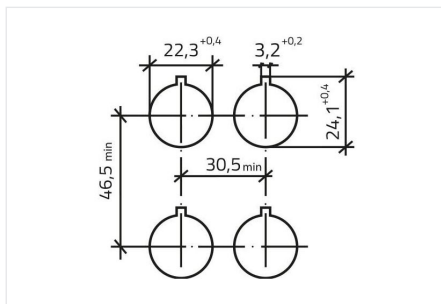
## Selector switch 2 positions



Product can differ from the current configuration.



Dimensions [mm]



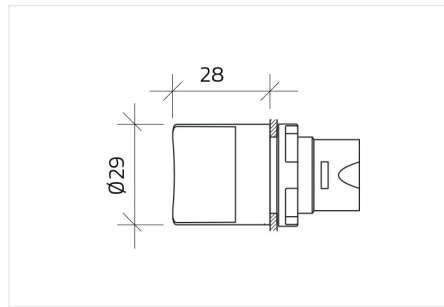
Mounting cut-outs [mm]



### Actuator

Switching action	Switching angle	Lever colour	Lever bar colour	Front dimension	Front bezel colour	Front bezel material	Housing colour	Housing material	Part No.
Rest - Maintained	90°	Black	White	Ø 29 mm	Black	Plastic	Black	Plastic	46-2828.1CV0.001
	60° right	Black	White	Ø 29 mm	Black	Plastic	Black	Plastic	46-2828.1CV0.008
Maintained - Momentary	60° right	Black	White	Ø 29 mm	Black	Plastic	Black	Plastic	46-2844.1CV0.008
Rest - Maintained	90°	Black	White	Ø 30 mm	Silver	Metal	Black	Plastic	46-2828.3CV0.001
	90°	Red	White	Ø 30 mm	Silver	Metal	Black	Plastic	46-2828.3CP0.001
	90°	Green	White	Ø 30 mm	Silver	Metal	Black	Plastic	46-2828.3CM0.001

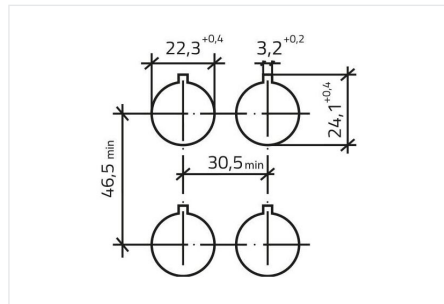
## Selector switch 3 positions



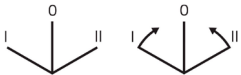
Dimensions [mm]



Product can differ from the current configuration.



Mounting cut-outs [mm]



### Actuator

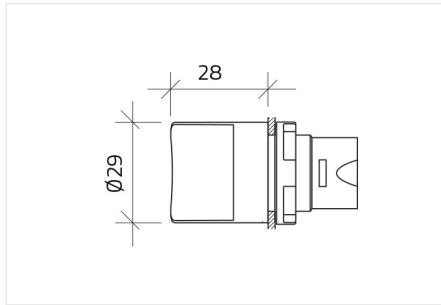
Switching action	Switching angle	Lever colour	Lever bar colour	Front dimension	Front bezel colour	Front bezel material	Housing colour	Housing material	Part No.
Maintained - Rest - Maintained	60° left / 60° right	Black	Green	Ø 29 mm	Black	Plastic	Black	Plastic	46-2819.1EX0.008
	60° left / 60° right	Black	White	Ø 29 mm	Black	Plastic	Black	Plastic	46-2819.1CV0.008
Momentary - Rest - Momentary	60° left / 60° right	Black	White	Ø 29 mm	Black	Plastic	Black	Plastic	46-280S.1CV0.008

# 46 Raised design

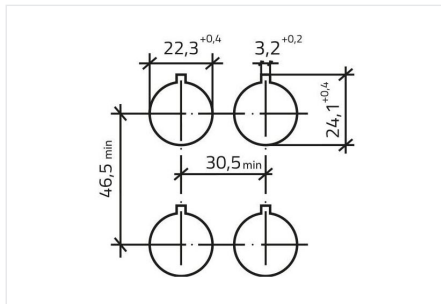
## Selector switch 4 positions



Product can differ from the current configuration.



Dimensions [mm]



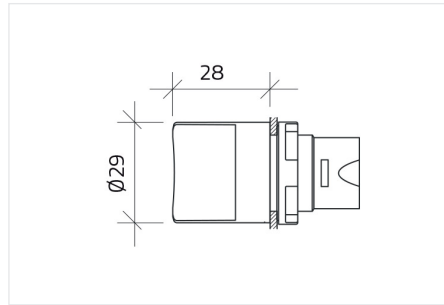
Mounting cut-outs [mm]



### Actuator

Switching action	Switching angle	Lever colour	Lever bar colour	Front dimension	Front bezel colour	Front bezel material	Housing colour	Housing material	Part No.
Maintained - Maintained - Maintained - Maintained	52°	Black	Yellow	Ø 29 mm	Black	Plastic	Black	Plastic	46-2818.1CZ0.007
	52°	Black	White	Ø 29 mm	Black	Plastic	Black	Plastic	46-2818.1CV0.007

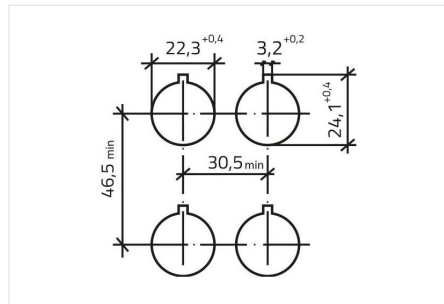
## Selector switch 5 positions



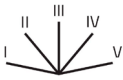
Dimensions [mm]



Product can differ from the current configuration.



Mounting cut-outs [mm]



### Actuator

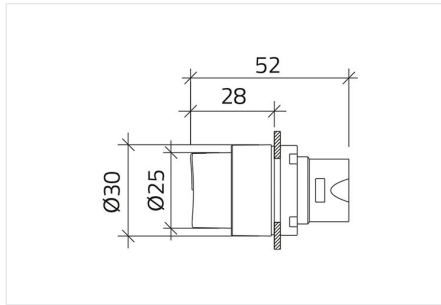
Switching action	Switching angle	Lever colour	Lever bar colour	Front dimension	Front bezel colour	Front bezel material	Housing colour	Housing material	Part No.
Rest - Maintained - Maintained - Maintained - Maintained	39°	Black	Blue	Ø 29 mm	Black	Plastic	Black	Plastic	46-2847.1CQ0.009

# 46 Raised design

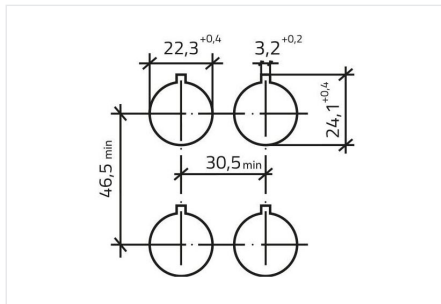
## Selector switch illuminated 2 positions



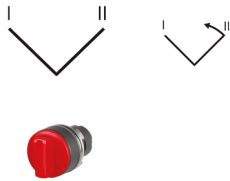
Product can differ from the current configuration.



Dimensions [mm]



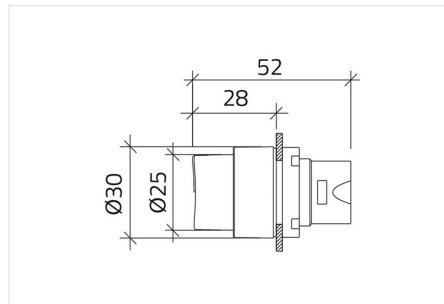
Mounting cut-outs [mm]



### Actuator

Switching action	Switching angle	Lever colour	Lever bar colour	Front dimension	Front bezel colour	Front bezel material	Housing colour	Housing material	Part No.
Rest - Maintained	90°	Red	Red	$\varnothing 30$ mm	Black	Plastic	Black	Plastic	46-2W28.1CE0.001
	90°	White	White	$\varnothing 30$ mm	Black	Plastic	Black	Plastic	46-2W28.1CN0.001
Rest - Momentary	90°	White	White	$\varnothing 30$ mm	Black	Plastic	Black	Plastic	46-2W44.1CN0.001
Rest - Maintained	90°	Red	White	$\varnothing 30$ mm	Silver	Metal	Black	Plastic	46-2W28.3CP0.001
	90°	Green	White	$\varnothing 30$ mm	Silver	Metal	Black	Plastic	46-2W28.3CM0.001
	90°	White	Black	$\varnothing 30$ mm	Silver	Metal	Black	Plastic	46-2W28.3CV0.001
Maintained - Momentary	90°	Red	White	$\varnothing 30$ mm	Silver	Metal	Black	Plastic	46-2W44.3CP0.001
	90°	Green	White	$\varnothing 30$ mm	Silver	Metal	Black	Plastic	46-2W44.3CM0.001
	90°	Yellow	Black	$\varnothing 30$ mm	Silver	Metal	Black	Plastic	46-2W44.3CZ0.001

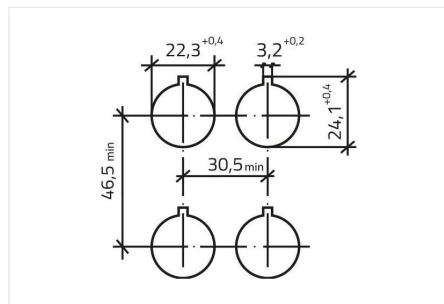
## Selector switch illuminated 3 positions



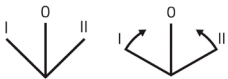
Dimensions [mm]



Product can differ from the current configuration.



Mounting cut-outs [mm]



### Actuator

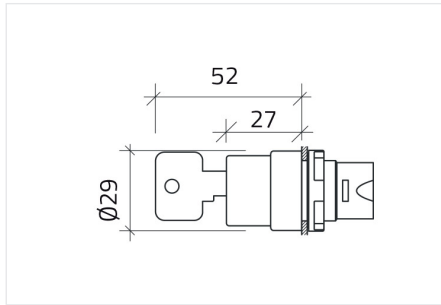
Switching action	Switching angle	Lever colour	Lever bar colour	Front dimension	Front bezel colour	Front bezel material	Housing colour	Housing material	Part No.
Maintained - Rest - Maintained	45° left / 45° right	Blue	Blue	Ø 30 mm	Black	Plastic	Black	Plastic	46-2W19.1CJ0.004
	45° left / 45° right	White	White	Ø 30 mm	Black	Plastic	Black	Plastic	46-2W19.1CN0.004
Momentary - Rest - Momentary	45° left / 45° right	White	White	Ø 30 mm	Black	Plastic	Black	Plastic	46-2W0S.1CN0.004

# 46 Raised design

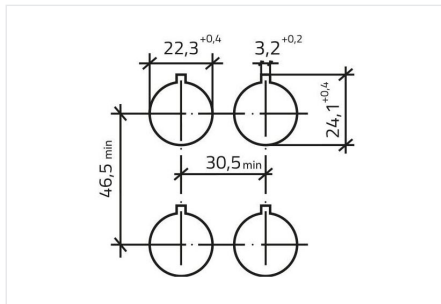
## Keylock switch



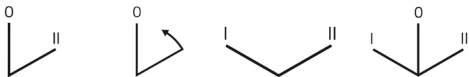
Product can differ from the current configuration.



Dimensions [mm]



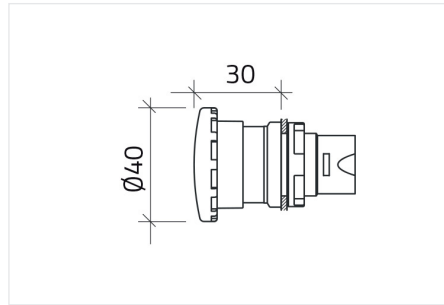
Mounting cut-outs [mm]



### Actuator

Switching action	Switching angle	Front dimension	Front bezel colour	Front bezel material	Housing colour	Housing material	Part No.
Rest (a) - Maintained (a)	60° right	Ø 29 mm	Black	Plastic	Black	Plastic	46-290H.1000.7P8
Rest - Maintained (a)	60° right	Ø 29 mm	Black	Plastic	Black	Plastic	46-2925.1000.7P8
Rest (a) - Maintained	60° right	Ø 29 mm	Black	Plastic	Black	Plastic	46-290J.1000.7P8
Rest (a) - Momentary	60° right	Ø 29 mm	Black	Plastic	Black	Plastic	46-290K.1000.7P8
Rest (a) - Maintained (a)	120°	Ø 29 mm	Black	Plastic	Black	Plastic	46-290H.1000.7PD
Maintained (a) - Maintained	120°	Ø 29 mm	Black	Plastic	Black	Plastic	46-290J.1000.7PD
Maintained (a) - Rest (a) - Maintained (a)	60° left / 60° right	Ø 29 mm	Black	Plastic	Black	Plastic	46-290F.1000.7P8

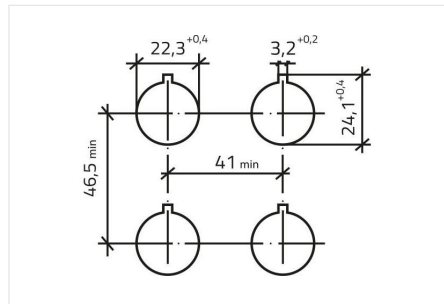
## Stop switch



Dimensions [mm]



Product can differ from the current configuration.



Mounting cut-outs [mm]



### Actuator

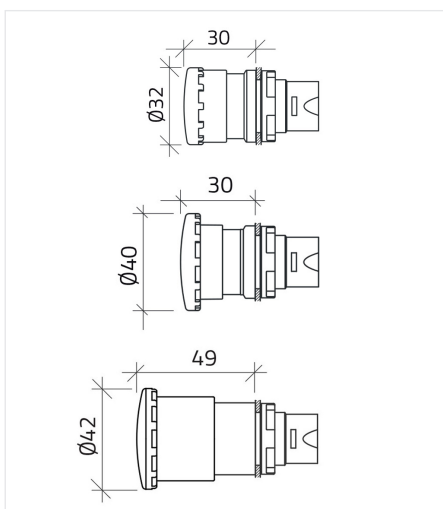
Release type	Lens colour	Front bezel colour	Front bezel material	Dimension	Housing colour	Housing material	Part No.
Twist to unlock	Black	Yellow	Plastic	Ø 40 mm	Yellow	Plastic	46-2736.1910.000

# 46 Raised design

## Emergency stop switch



Product can differ from the current configuration.



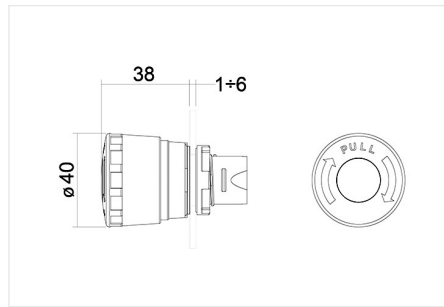
Dimensions [mm]



### Actuator

Release type	Lens colour	Dimension	Housing colour	Housing material	Part No.
Twist to unlock	Red	Ø 32 mm	Yellow	Plastic	46-2C36.1M20.000
	Red	Ø 40 mm	Yellow	Plastic	46-2C36.1920.000
	Red	Ø 42 mm	Yellow	Plastic	46-2C36.1H20.000
Pull unlock	Red	Ø 40 mm	Yellow	Plastic	46-2737.1920.000

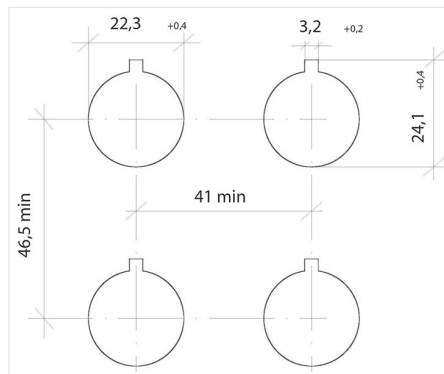
## Illuminated stop switch



Dimensions [mm]



Product can differ from the current configuration.



Mounting cut-outs [mm]



### Actuator

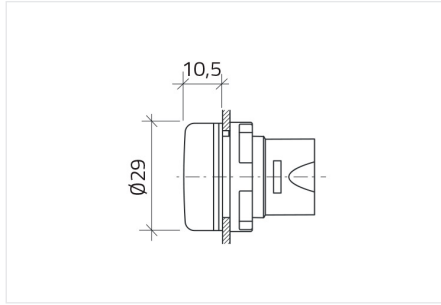
Release type	Lens colour	Dimension	Housing colour	Housing material	Part No.
Twist / Pull to unlock	Red	Ø 40 mm	Yellow	Plastic	46-2COP.1920.000

# 46 Raised design

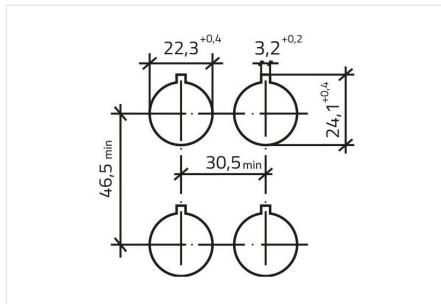
## Indicator



Product can differ from the current configuration.



Dimensions [mm]



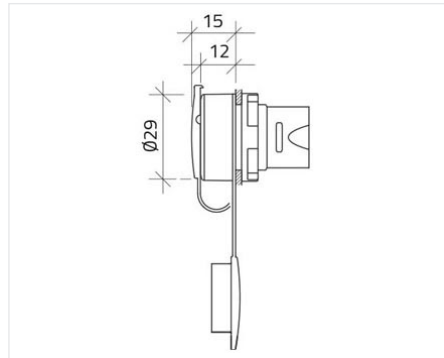
Mounting cut-outs [mm]



## Actuator

Front dimension	Front bezel colour	Front bezel material	Lens cap colour	Housing colour	Housing material	Part No.
Ø 29 mm	White	Plastic	White	White	Plastic	46-2T00.10N0.000
	White	Plastic	Red	White	Plastic	46-2T00.10E0.000
	White	Plastic	Green	White	Plastic	46-2T00.10H0.000
	White	Plastic	Yellow	White	Plastic	46-2T00.10G0.000
	White	Plastic	Blue	White	Plastic	46-2T00.10J0.000

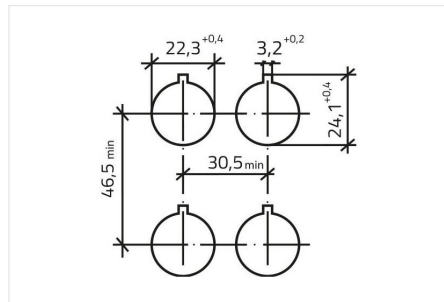
## USB socket



Dimensions [mm]



Product can differ from the current configuration.



Mounting cut-outs [mm]

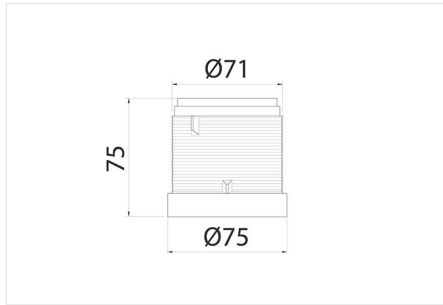


## Actuator

Terminal	Front dimension	Front bezel colour	Front bezel material	Housing colour	Housing material	Part No.
USB 3.0 socket type A-A	Ø 29 mm	Black	Plastic	Black	Plastic	46-2Y49.101C.000
USB 3.0 socket type C-A	Ø 29 mm	Black	Plastic	Black	Plastic	46-2Y50.101C.000

# 46 Raised design

## Signal light tower



Product can differ from the current configuration.

Dimensions [mm]

### General information

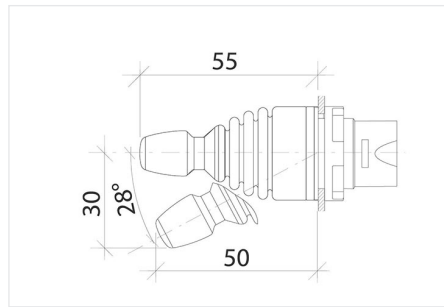
- Illumination elements, see accessories



### Connection piece

Material	Colour	Part No.
Plastic	Grey	46-581.1800

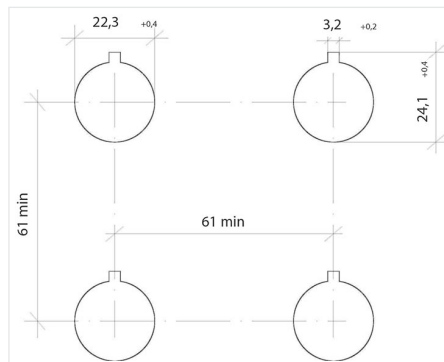
## Digital joystick



Dimensions [mm]



Product can differ from the current configuration.



Mounting cut-outs [mm]



## Digital joystick

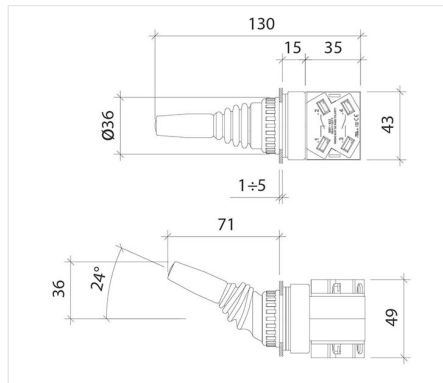
Dimension	Switching action	Switching angle	Switching positions	Housing colour	Housing material	Part No.
45 mm	Maintained	30°	2 positions	Grey	Plastic	46-2F41.1080.001
	Momentary	30°	2 positions	Grey	Plastic	46-2F38.1080.001
	Maintained	30°	4 positions	Grey	Plastic	46-2F21.1080.001
	Momentary	30°	4 positions	Grey	Plastic	46-2F0V.1080.001
55 mm	Maintained	28°	2 positions	Grey	Plastic	46-2F41.1080.000
	Momentary	28°	2 positions	Grey	Plastic	46-2F38.1080.000
	Maintained	28°	4 positions	Grey	Plastic	46-2F21.1080.000
	Momentary	28°	4 positions	Grey	Plastic	46-2F0V.1080.000

# 46 Raised design

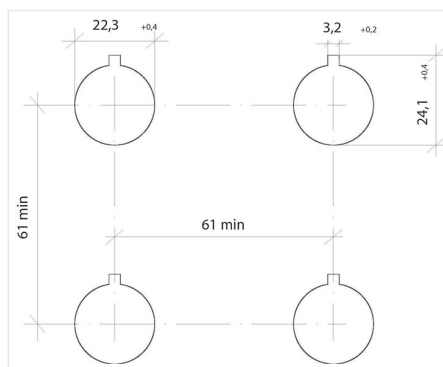
## Digital joystick complete



Product can differ from the current configuration.



Dimensions [mm]



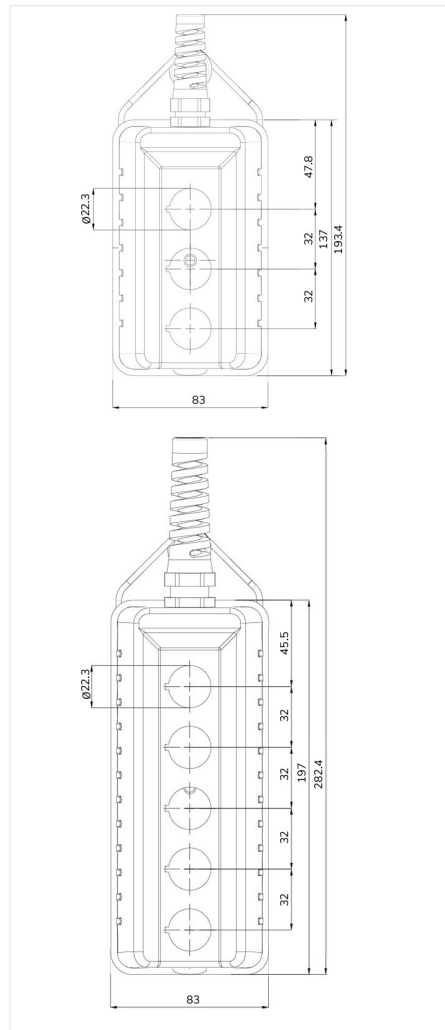
Mounting cut-outs [mm]



## Digital joystick complete

Switching action	Switching angle	Switching positions	Contacts	Housing colour	Housing material	Part No.
Maintained	24°	2 positions	2 NC / 2 NO	Black	Plastic	46-2R41.1080.000
	24°	4 positions	2 NC / 2 NO	Black	Plastic	46-2R21.1010.000
Maintained - Momentary	24°	2 positions	2 NC / 2 NO	Black	Plastic	46-2R51.1010.000
Maintained - Maintained - Maintained - Momentary	24°	4 positions	2 NC / 2 NO	Black	Plastic	46-2R52.1010.000
Maintained - Maintained - Momentary - Momentary	24°	4 positions	2 NC / 2 NO	Black	Plastic	46-2R53.1010.000
Maintained - Momentary - Momentary - Momentary	24°	4 positions	2 NC / 2 NO	Black	Plastic	46-2R54.1010.000
Momentary	24°	2 positions	2 NC / 2 NO	Black	Plastic	46-2R0T.1010.000
	24°	4 positions	2 NC / 2 NO	Black	Plastic	46-2R0V.1010.000

## Pendant control



Dimensions [mm]



Product can differ from the current configuration.

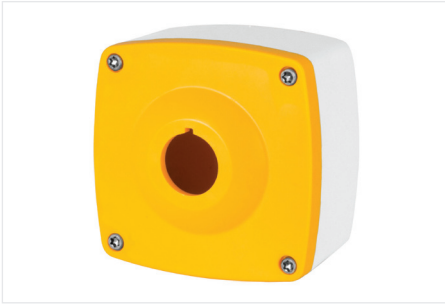


## Pendant control

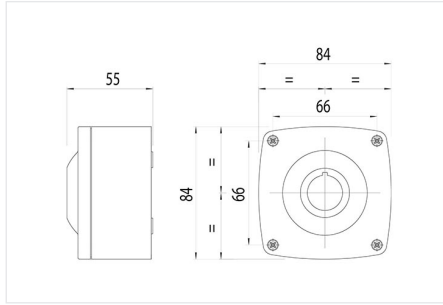
Dimension	Colour	2nd Colour	Number of holes	Mounting cut-out	Part No.
83 mm x 137 mm	Grey	Grey	1	Ø 22 mm	46-445.1818
	Yellow	Grey	1	Ø 22 mm	46-445.1418
	Grey	Grey	2	Ø 22 mm	46-446.1818
	Yellow	Grey	2	Ø 22 mm	46-446.1418
	Grey	Grey	3	Ø 22 mm	46-447.1818
	Yellow	Grey	3	Ø 22 mm	46-447.1418
83 mm x 197 mm	Grey	Grey	1	Ø 22 mm	46-455.1818
	Yellow	Grey	1	Ø 22 mm	46-455.1418
	Grey	Grey	3 (2+1)	Ø 22 mm	46-457.1818
	Yellow	Grey	3 (2+1)	Ø 22 mm	46-457.1418
	Grey	Grey	4	Ø 22 mm	46-458.1818
	Yellow	Grey	4	Ø 22 mm	46-458.1418
	Grey	Grey	4 (3+1)	Ø 22 mm	46-458.1818A
	Yellow	Grey	4 (3+1)	Ø 22 mm	46-458.1418A
	Grey	Grey	5	Ø 22 mm	46-459.1818
	Yellow	Grey	5	Ø 22 mm	46-459.1418

# 46 Raised design

## Enclosure



Product can differ from the current configuration.



Dimensions [mm]



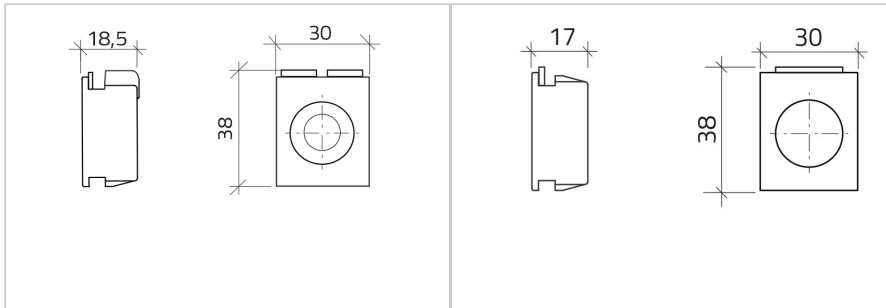
## Enclosure

Dimension	Colour	2nd Colour	Number of holes	Mounting cut-out	Part No.
84 mm x 84 mm x 55 mm	Yellow	Grey	1	Ø 22.3 mm	46-425.1400



## Holder

Product attributes	Dimension	Material	Part No.
Illuminative	38 mm x 30 mm	Plastic	46-2V00.000.000
Non-illuminative	38 mm x 30 mm	Plastic	46-2M00.1000.000



Dimensions [mm]

Dimensions [mm]



## Multi-LED, BA9s

Illumination colour	Operating voltage	Part No.
White	24 AC/DC -20% / +10%	46-39J.0986
	130 AC/DC -20% / +10%	46-39J.0987
	240 AC/DC -20% / +10%	46-39J.0989
Red	24 AC/DC -20% / +10%	46-39J.0286
	130 AC/DC -20% / +10%	46-39J.0287
	240 AC/DC -20% / +10%	46-39J.0289



## Switching element

Switching system	Contacts	Contact material	Terminal	Part No.
Slow-make switching element	1 NC	Silver	Screw terminal	46-312.1Z10
	1 NO	Silver	Screw terminal	46-311.1Z10
	1 NO	Silver	Ring cable lug screw terminal	46-311.1Z70
	1 NC	Silver	Ring cable lug screw terminal	46-312.1Z70

# 46 Accessories

## Accessories



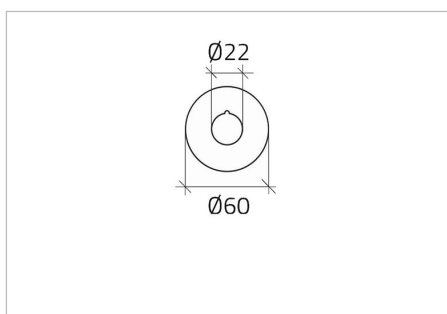
### Illumination element

Product attributes	Dimension	Operating Voltage/Current	Housing material	Illumination colour	Part No.
For Signal Light Tower	Ø 75 mm x 75 mm	24 V -20% / +10%	Plastic	Orange	46-580.1F21
	Ø 75 mm x 75 mm	24 V -20% / +10%	Plastic	Blue	46-580.1J21
	Ø 75 mm x 75 mm	24 V -20% / +10%	Plastic	Yellow	46-580.1G21
	Ø 75 mm x 75 mm	24 V -20% / +10%	Plastic	Colourless	46-580.1K21
	Ø 75 mm x 75 mm	24 V -20% / +10%	Plastic	Red	46-580.1E21
	Ø 75 mm x 75 mm	24 V -20% / +10%	Plastic	Green	46-580.1H21
	Ø 75 mm x 75 mm	240 V -20% / +10%	Plastic	Orange	46-580.1F22
	Ø 75 mm x 75 mm	240 V -20% / +10%	Plastic	Blue	46-580.1J22
	Ø 75 mm x 75 mm	240 V -20% / +10%	Plastic	Yellow	46-580.1G22
	Ø 75 mm x 75 mm	240 V -20% / +10%	Plastic	Colourless	46-580.1K22
	Ø 75 mm x 75 mm	240 V -20% / +10%	Plastic	Red	46-580.1E22
	Ø 75 mm x 75 mm	240 V -20% / +10%	Plastic	Green	46-580.1H22



### Legend plate

Dimension	Colour	Mounting cut-out	Part No.
Ø 60 mm	Yellow	Ø 22 mm	46-50J.1413



Dimensions [mm]



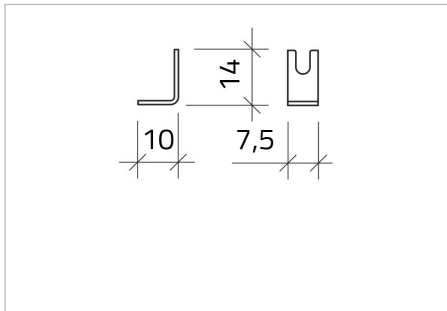
### Replacement LED, BA15s

Product attributes	Dimension	Operating Voltage/Current	Illumination colour	Part No.
For Signal Light Tower	Ø 15 mm x 38 mm	24 V -20% / +10%	White	46-584.1921
	Ø 15 mm x 38 mm	230 V -20% / +10%	White	46-584.1922



## Faston terminals

Part No.  
46-577.2801

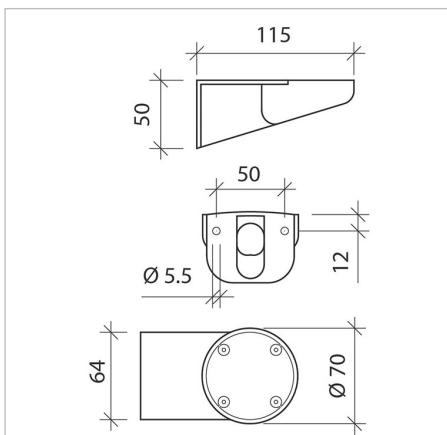


Dimensions [mm]

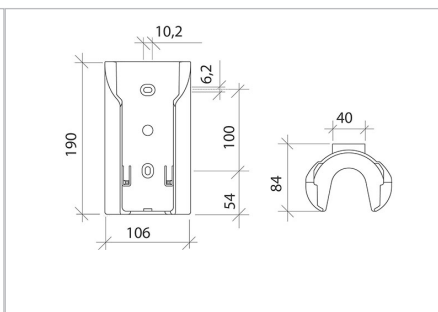


## Wall mounting kits

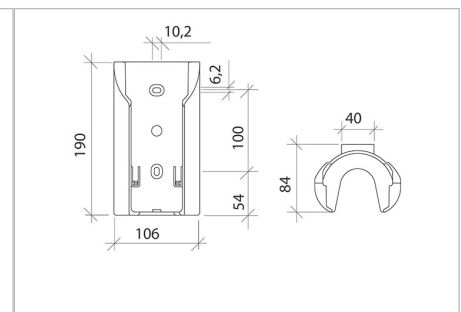
Product attributes	Material	Colour	Part No.
For Signal Light Tower	Plastic	Grey	46-582.1800
For Pendant Control	Plastic	Grey	46-585.1800
	Plastic	Yellow	46-585.1400



Dimensions [mm]



Dimensions [mm]



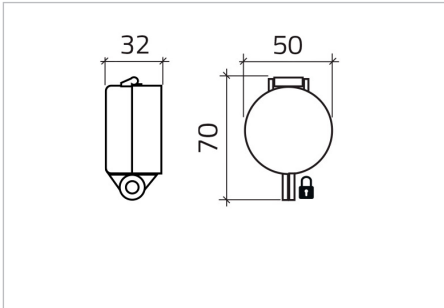
Dimensions [mm]

# 46 Accessories



Protection cover

Dimension	Material	Colour	Optics	Part No.
70 mm x 50 mm	Plastic	Colourless	transparent	46-555.1K0A

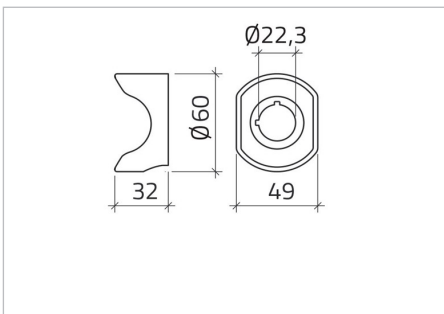


Dimensions [mm]



Protective shroud

Dimension	Material	Colour	Mounting cut-out	Part No.
Ø 60 mm x 49 mm	Plastic	Yellow	Ø 22.3 mm	46-549.1400



Dimensions [mm]



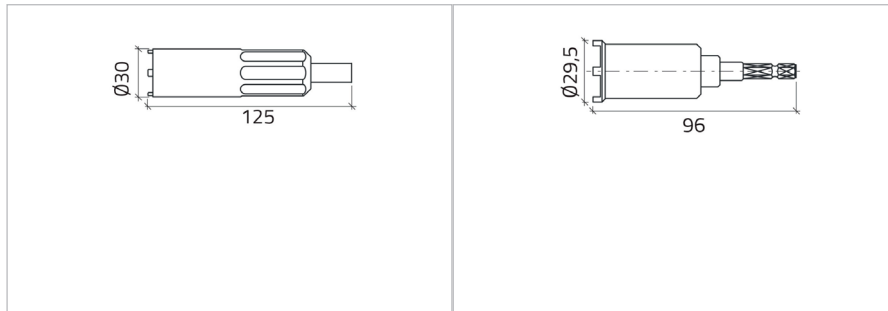
Light tower extension pole

Dimension	Colour	Part No.
Ø 25 mm x 100 mm	Grey	46-583.1818
Ø 25 mm x 200 mm	Grey	46-583.1819
Ø 25 mm x 400 mm	Grey	46-583.1820



## Locking ring wrench

Dimension	Colour	Part No.
Ø 30 mm x 125 mm	Black	46-576.1111
Ø 29.5 mm x 96 mm	Silver	46-576.2811



Dimensions [mm]

Dimensions [mm]